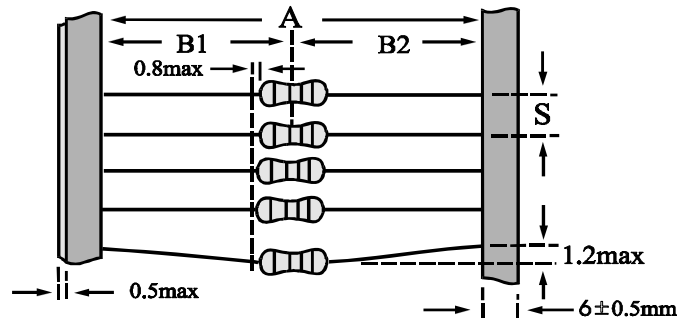
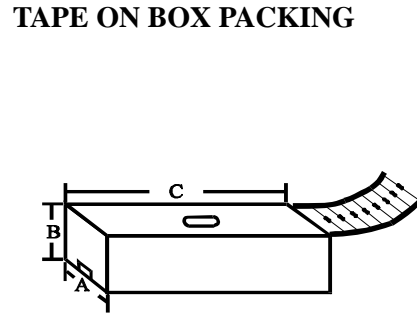
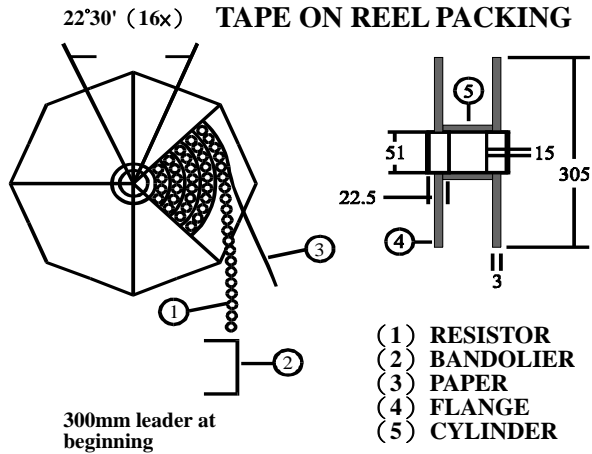


AXIAL LEAD TAPING SPECIFICATION

PACKING METHODS Bandoleer for Axial leads



STYLE	DIMENSIONS [mm]			
Type	A	B1-B2	S (spacing)	Max. deviation of spacing
1/8W	52 ⁺¹ / ₋₀	1.2	5	1 mm per 10 spacing
1/6W				
1/4WS	26 ⁺¹ / ₋₀	1	5	
0.4W(0204)				
1/2WSS	52 ⁺¹ / ₋₀	1.2	5	
1/4W				
1/2WS	26 ⁺¹ / ₋₀	1	5	
0.6W(0207)				
1WSS	52 ⁺¹ / ₋₀	1.2	5	
1/3W				
1/2W	52 ⁺¹ / ₋₀	1.2	5	
1WS				
2WSS	52 ⁺¹ / ₋₀	1.5	5	
1W				
2WS	73 ⁺¹ / ₋₀	1.5	10	
3WSS				
2W	52 ⁺¹ / ₋₀	1.5	10	
3WS				
4WSS	73 ⁺¹ / ₋₀	1.5	10	
3W				
5WS	52 ⁺¹ / ₋₀	1.5	10	
7WS				
5W	73 ⁺¹ / ₋₀	1.5	10	
7WS				
5W	88 ⁺¹ / ₋₀	1.5	10	
7WS				



STYLE	TAPE ON REEL		TAPE ON BOX			
	Across Flange (A)	Qty Per Reel	W (A)	H (B)	L (C)	Qty Per Box
1/8W 1/6W 1/4WS 0.4W(0204) 1/2WSS	72	5,000	80	75	264	5,000
1/4W 1/2WS 0.6W(0207) 1WSS	72	5,000	80	105	264	5,000
1/3W	72	5,000	80	35	264	1,000
1/2W 1WS 2WSS	72	2,500	80	46	264	1,000
1W 2WS 3WSS	95	2,000	103	82	265	1,000
2W 3WS 4WSS	95	1,000	103	96	265	1,000
3W 5WS	95	1,000	105	75	270	500
5W 7WS	110	500	115	75	270	250